

Technical Service Bulletin			
Edition: Final V1	TSB#: 414 (ECR1733)	Issue date: August 25, 2022	Page 1 of 1

Title: ONE Reduce Noise Bypass

OLD Part – no longer available:	NEW Part – now available:	For Machine Types:
30400055_Bypass_Assembly_REV02	30400196_Assy_Bypass_REV01	ONE

Applies to machine types:

- ONE

Implemented from first serial number:

- SN115220800170 (2022-08-11)

Change information:

Reduce screeching noise of bypass assembly on vibration pump models. Bypass body has been updated.

Also, material change for bypass gasket holder: from brass to POM

Backward compatibility:

The new part(s) are fully backward compatible with the previous version machines.

Machines in the field:

For machines in the field, require no change.

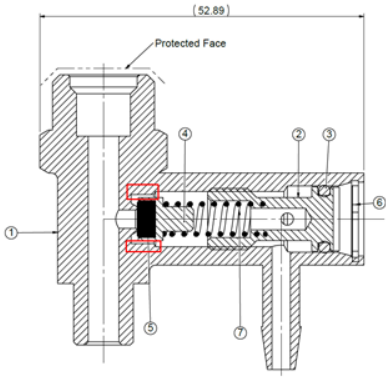
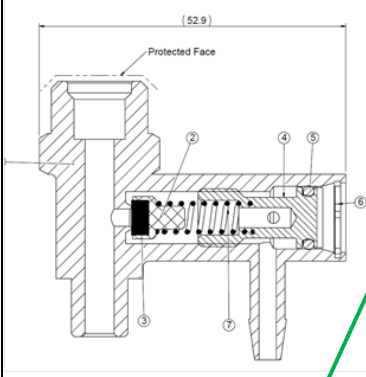


Warranty information:

No warranty changes.

Spare part information:

The new part(s) will be the spare part(s) offered for all after sales services.

Improvement descriptions:

Old Version: 30400055_Bypass_Assembly_REV02	New Version: 30400196_Assy_Bypass_REV01
	  
	<p>Marking to differentiate OLD and NEW PN</p>